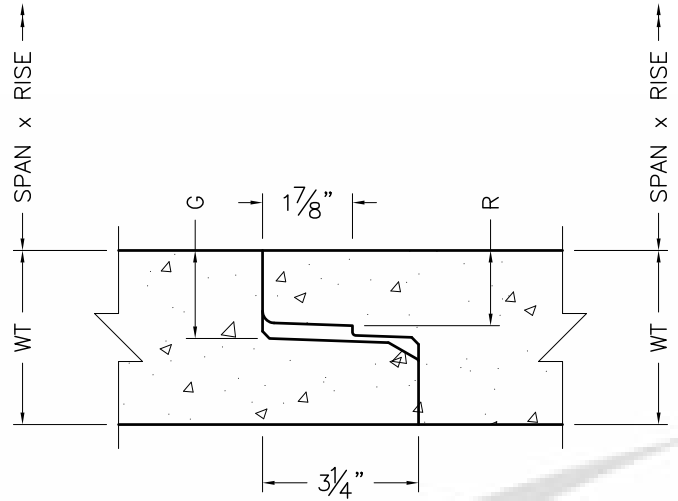
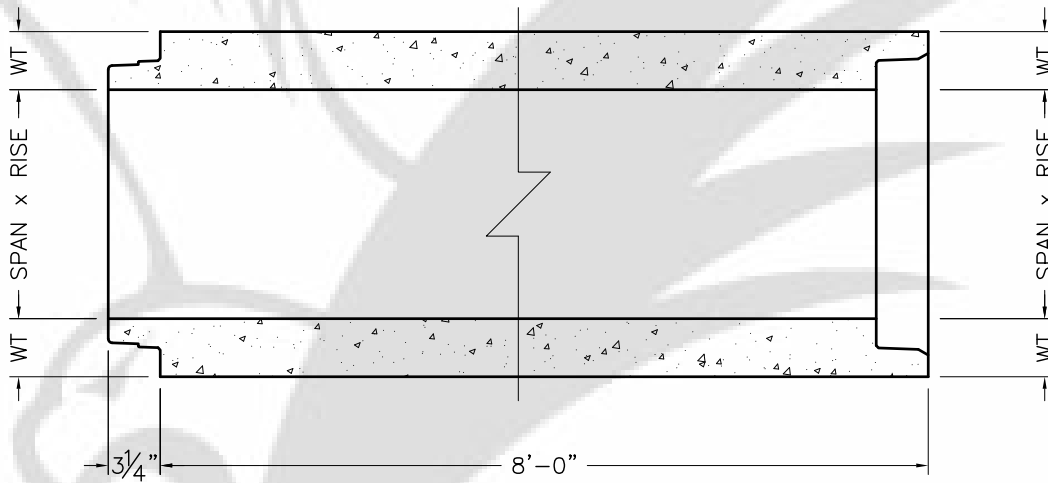


ELEVATION VIEW – PIPE END
(SCALE: 1:12)



SECTION VIEW – JOINT
(SCALE: 1:4)



SECTION VIEW – PIPE SIDE
(SCALE: 1:12)

NOTES:

1. PRECAST COMPONENTS MANUFACTURED AND SUPPLIED TO MEET OR EXCEED ASTM C507/AASHTO M207.
2. JOINTS MANUFACTURED AND SUPPLIED (WITH GASKETS) TO MEET OR EXCEED ASTM C1628 AND C443/AASHTO M198.
3. REINFORCEMENT NOT SHOWN FOR CLARITY.
4. NOMINAL MEASUREMENTS ARE SHOWN. ACTUAL VALUES MAY BE SLIGHTLY ADJUSTED TO SUIT PRECAST FORMS.

ØEQUIV	SPAN	RISE	WT	G	R
18"	23"	14"	3 ⁵ / ₈ "	1.826"	1.565"
24"	30"	19"	3 ⁵ / ₈ "	1.726"	1.465"
30"	38"	24"	3 ³ / ₄ "	1.924"	1.663"
36"	45"	29"	4 ¹ / ₂ "	2.049"	1.788"



SCALE: VARIES | DATE: 12/09/08 | DWG: 5007-00

ELLIPTICAL REINFORCED CONCRETE PIPE
23"x14"–45"x29"
STRAIGHT WALL SINGLE OFFSET JOINT