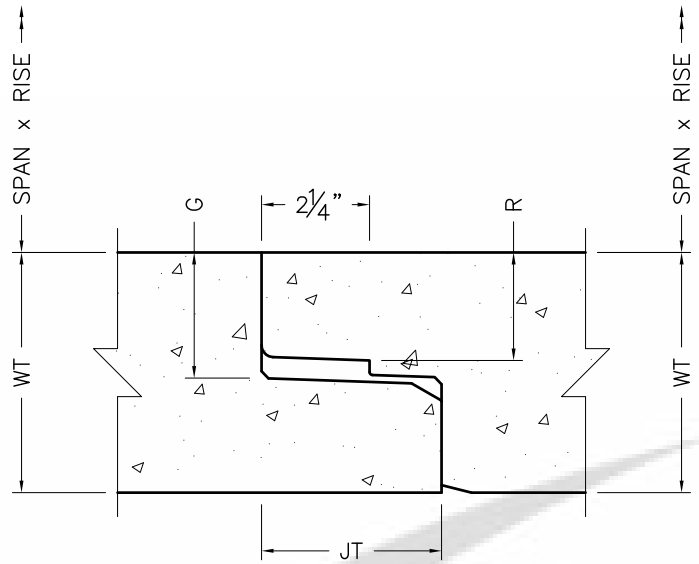
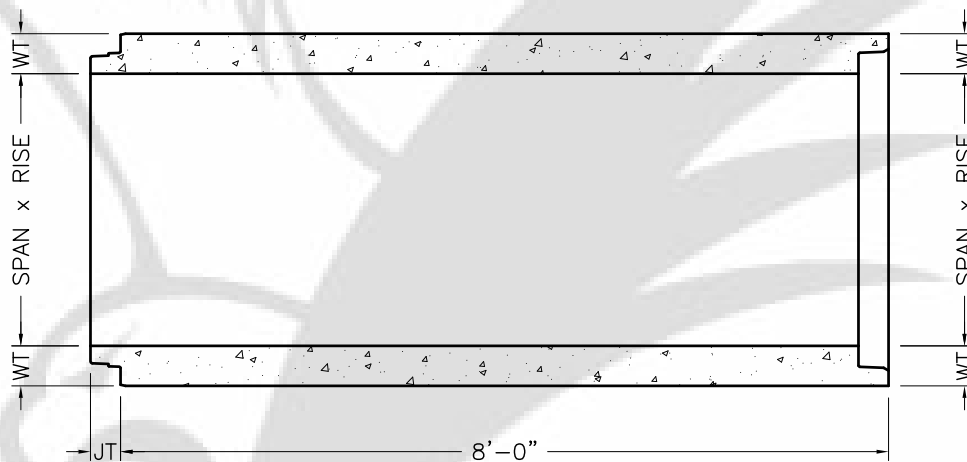


ELEVATION VIEW – PIPE END
(SCALE: 1:24)



SECTION VIEW – JOINT
(SCALE: 1:4)



SECTION VIEW – PIPE SIDE
(SCALE: 1:24)

NOTES:

1. PRECAST COMPONENTS MANUFACTURED AND SUPPLIED TO MEET OR EXCEED ASTM C507/AASHTO M207.
2. JOINTS MANUFACTURED AND SUPPLIED (WITH GASKETS) TO MEET OR EXCEED ASTM C1628 AND C443/AASHTO M198.
3. REINFORCEMENT NOT SHOWN FOR CLARITY.
4. NOMINAL MEASUREMENTS ARE SHOWN. ACTUAL VALUES MAY BE SLIGHTLY ADJUSTED TO SUIT PRECAST FORMS.

ØEQUIV	SPAN	RISE	WT	JT	G	R
42"	53"	34"	5"	3 ³ / ₄ "	2.615"	2.248"
48"	60"	38"	5 ¹ / ₂ "	3 ³ / ₄ "	2.765"	2.398"
54"	68"	43"	6"	4"	2.750"	2.383"
60"	76"	48"	6 ¹ / ₂ "	4"	3.365"	2.998"



SCALE: VARIES | DATE: 12/09/08 | DWG: 5008-00

ELLIPTICAL REINFORCED CONCRETE PIPE
53"x34"-76"x48"
STRAIGHT WALL SINGLE OFFSET JOINT