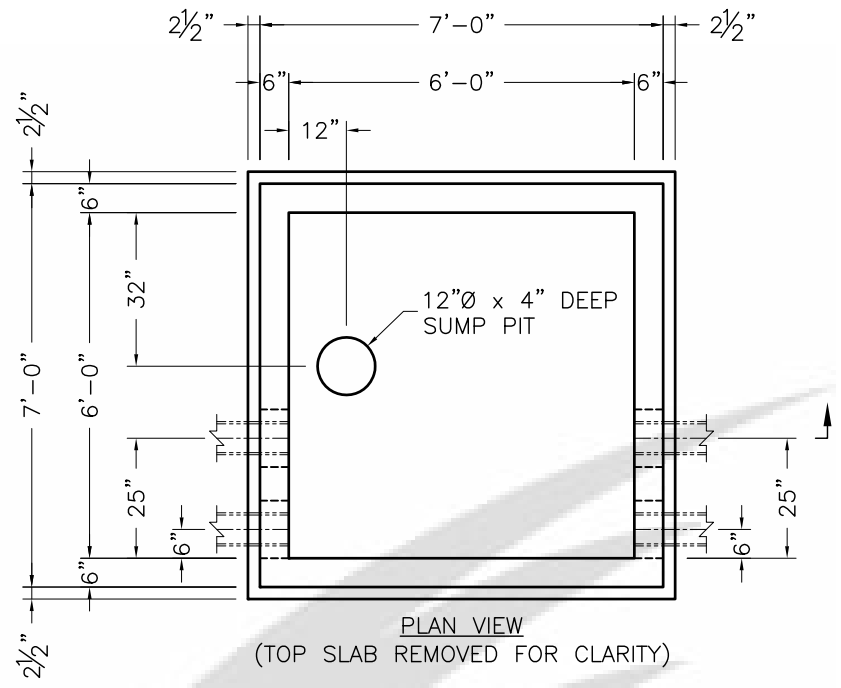
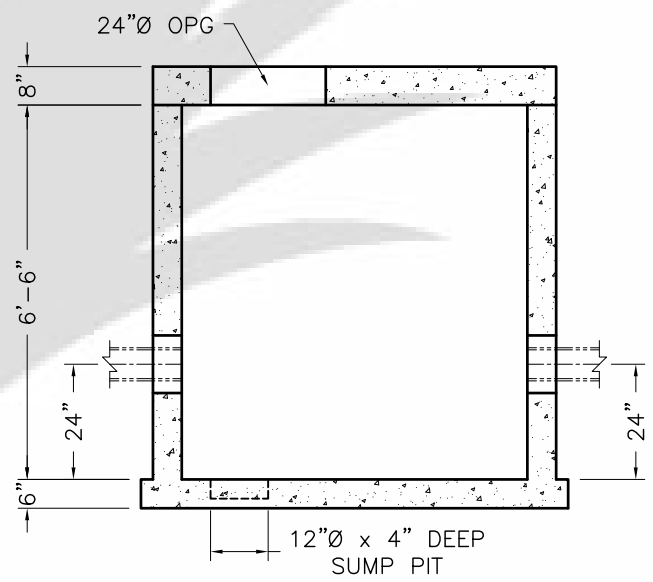


PLAN VIEW - TOP SLAB



PLAN VIEW
(TOP SLAB REMOVED FOR CLARITY)



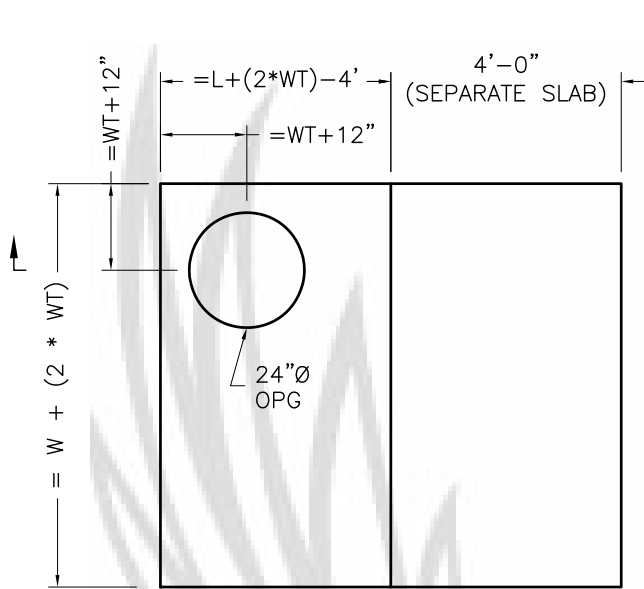
SECTION VIEW

NOTES:

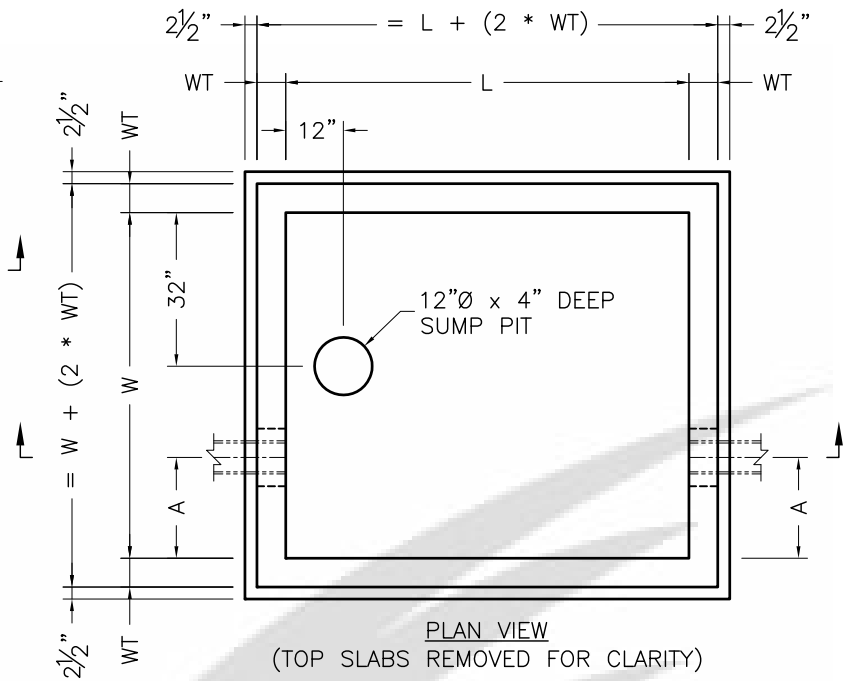
1. PRECAST COMPONENTS MANUFACTURED AND SUPPLIED TO MEET OR EXCEED JURISDICTIONAL AND/OR PROJECT SPECIFICATIONS.
2. REINFORCEMENT NOT SHOWN FOR CLARITY.
3. PIPE OPENINGS PROVIDED AS REQUIRED WITH POLYISOPRENE RUBBER BOOT CONNECTORS.
4. LADDER TO BE SUPPLIED AND INSTALLED IN FIELD BY OTHERS.
5. EACH JOINT TO BE SEALED WITH BUTYL RUBBER AND GROUTED INSIDE AND OUT WITH AN APPROVED NON-SHRINK GROUT, IN FIELD BY OTHERS.
6. FOR THE 4" METER, SECONDARY PIPE PENETRATIONS ARE PROVIDED FOR INTERNAL BYPASS, AS SHOWN.



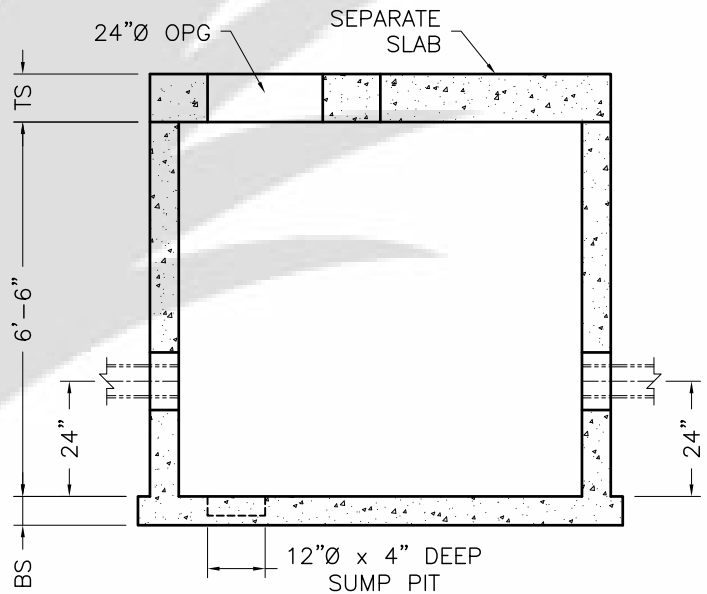
SCALE: 1:40	DATE: 10/21/08	DWG: 1120-00
FREDERICK COUNTY METER VAULT (4" METER) SHEET 1 OF 2		



PLAN VIEW
TWO-PIECE TOP SLAB



PLAN VIEW
(TOP SLABS REMOVED FOR CLARITY)



SECTION VIEW

NOTES:

1. PRECAST COMPONENTS MANUFACTURED AND SUPPLIED TO MEET OR EXCEED JURISDICTIONAL AND/OR PROJECT SPECIFICATIONS.
2. REINFORCEMENT NOT SHOWN FOR CLARITY.
3. PIPE OPENINGS PROVIDED AS REQUIRED WITH POLYISOPRENE RUBBER BOOT CONNECTORS.
4. LADDER TO BE SUPPLIED AND INSTALLED IN FIELD BY OTHERS.
5. EACH JOINT TO BE SEALED WITH BUTYL RUBBER AND GROUTED INSIDE AND OUT WITH AN APPROVED NON-SHRINK GROUT, IN FIELD BY OTHERS.

METER	L	W	WT	BS	TS	A
6"	7'-0"	6'-0"	6"	6"	10"	21"
8"	8'-0"	8'-0"	8"	8"	10"	39"
10"	9'-0"	8'-0"	8"	8"	10"	30"



SCALE: 1:40 DATE: 10/21/08 DWG: 1120-00

FREDERICK COUNTY
METER VAULT
(6", 8", OR 10" METER)
SHEET 2 OF 2